

Service
Service
Service



Service Manual

MCS235 is classified as an exchange model.
This manual only gives some diagrams for
basic repair in some regions.



TABLE OF CONTENTS

Service partslist.....	2
Wiring diagram	3
Block diagram	4
Main board	
circuit diagram (Part 1).....	5
circuit diagram (Part 2)	6
layout diagram (Top side).....	7
layout diagram (Bottom side).....	8
Key & Display board	
circuit diagram.....	9
layout diagram.....	9

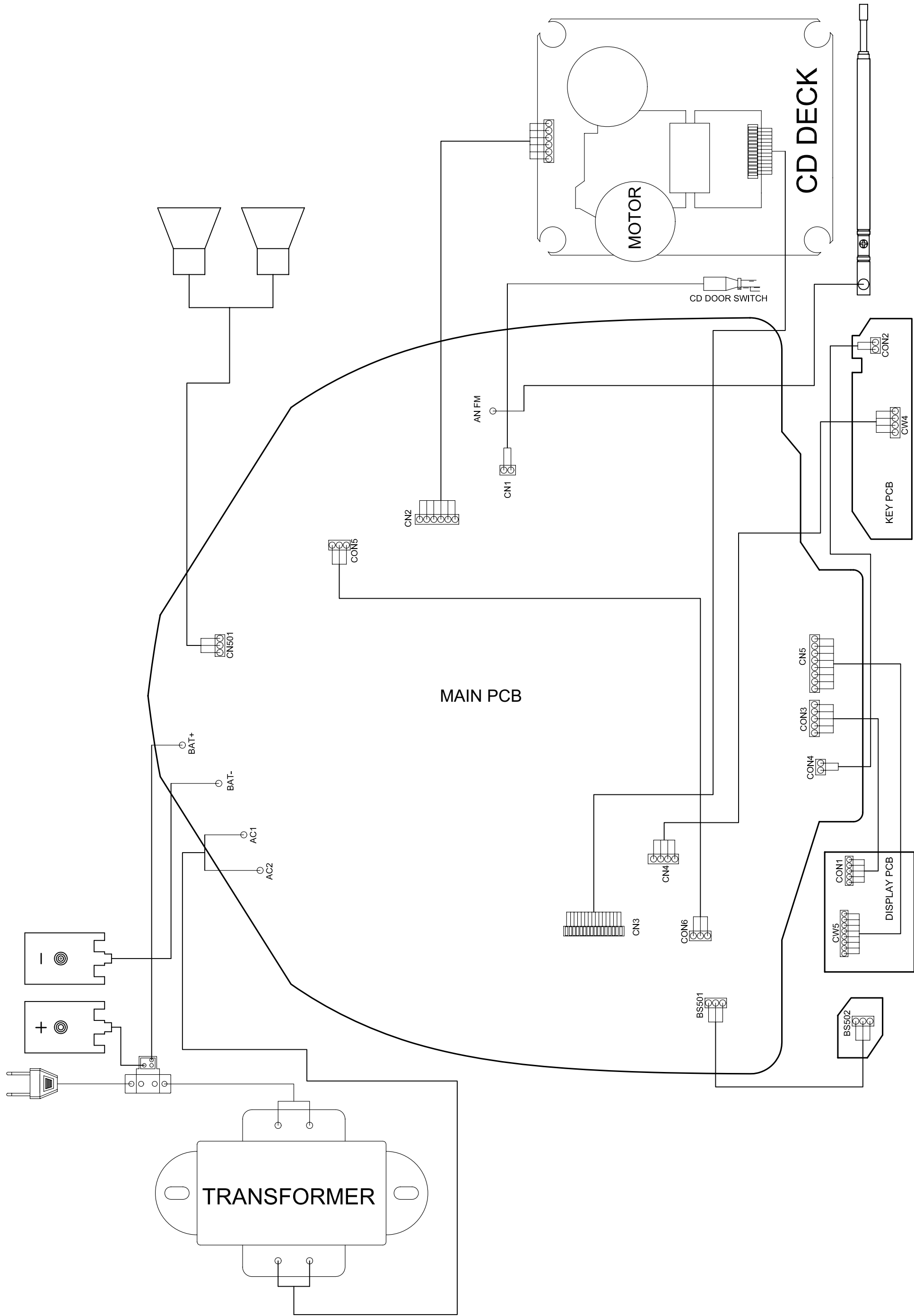


© Copyright 2006 Philips Consumer Electronics B.V. Eindhoven, The Netherlands
All rights reserved. No part of this publication may be reproduced, stored in a retrieval
system or transmitted, in any form or by any means, electronic, mechanical, photocopying,
or otherwise without the prior permission of Philips.



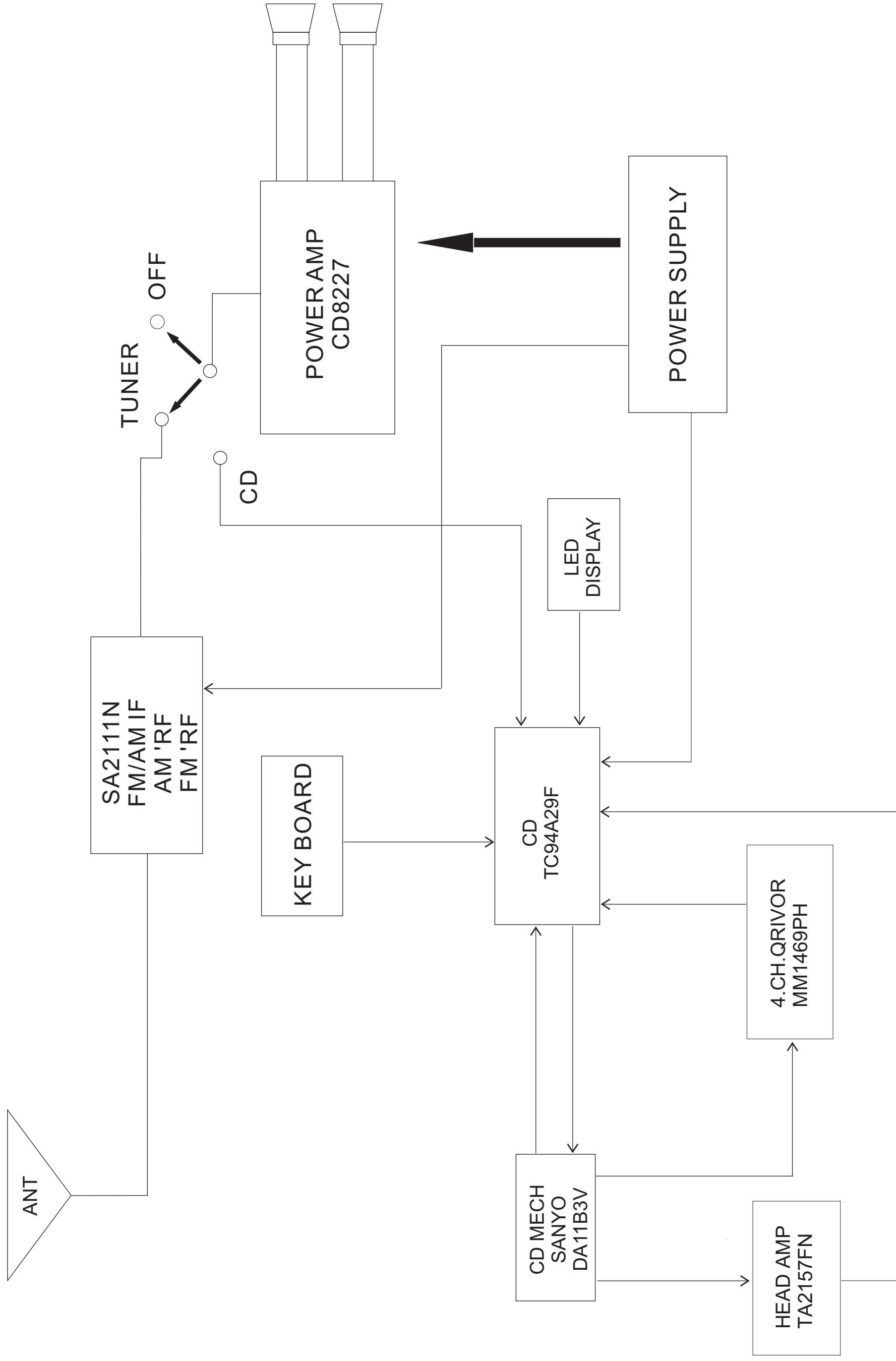
SERVICE PARTSLIST

9965 000 37714	AC CORD VDE/BRAZIL APP 1.83M
9965 000 41749	TRANSFOR. EI41 HF-41B22TM(A)
9940 000 03883	SPEAKER 3" 2W 8OHM
9940 000 05085	CD MECHANISM DA11B3VZ (BALL)
9965 000 41750	BATTERY CONTACT SPRING (+ -)
9965 000 41751	CD DOOR SPRING DIA0.8mm
9965 000 41752	BATTERY DOOR (HIPS)
9965 000 41753	CD DOOR"MAGNAVOX"
9965 000 41754	CD KNOB GROUP -A
9965 000 41755	CD KNOB GROUP -B
9965 000 41756	FUNCTION KNOB
9965 000 41757	BAND KNOB
9965 000 41758	BASS KNOB
9965 000 41759	TUNING KNOB
9965 000 41760	VOLUME KNOB
9940 000 03671	ROD ANTENNA 136~474MM



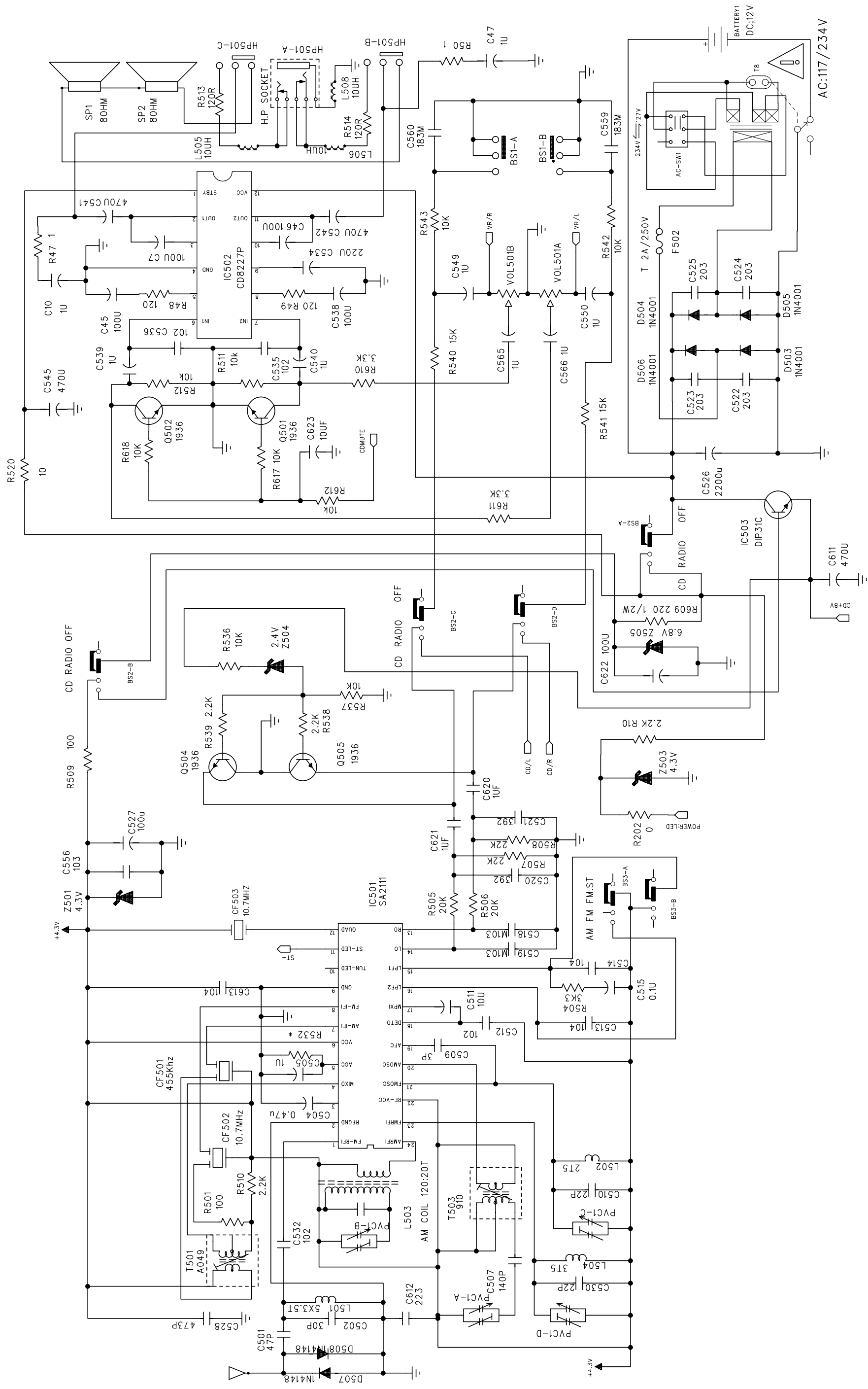
BLOCK DIAGRAM

4

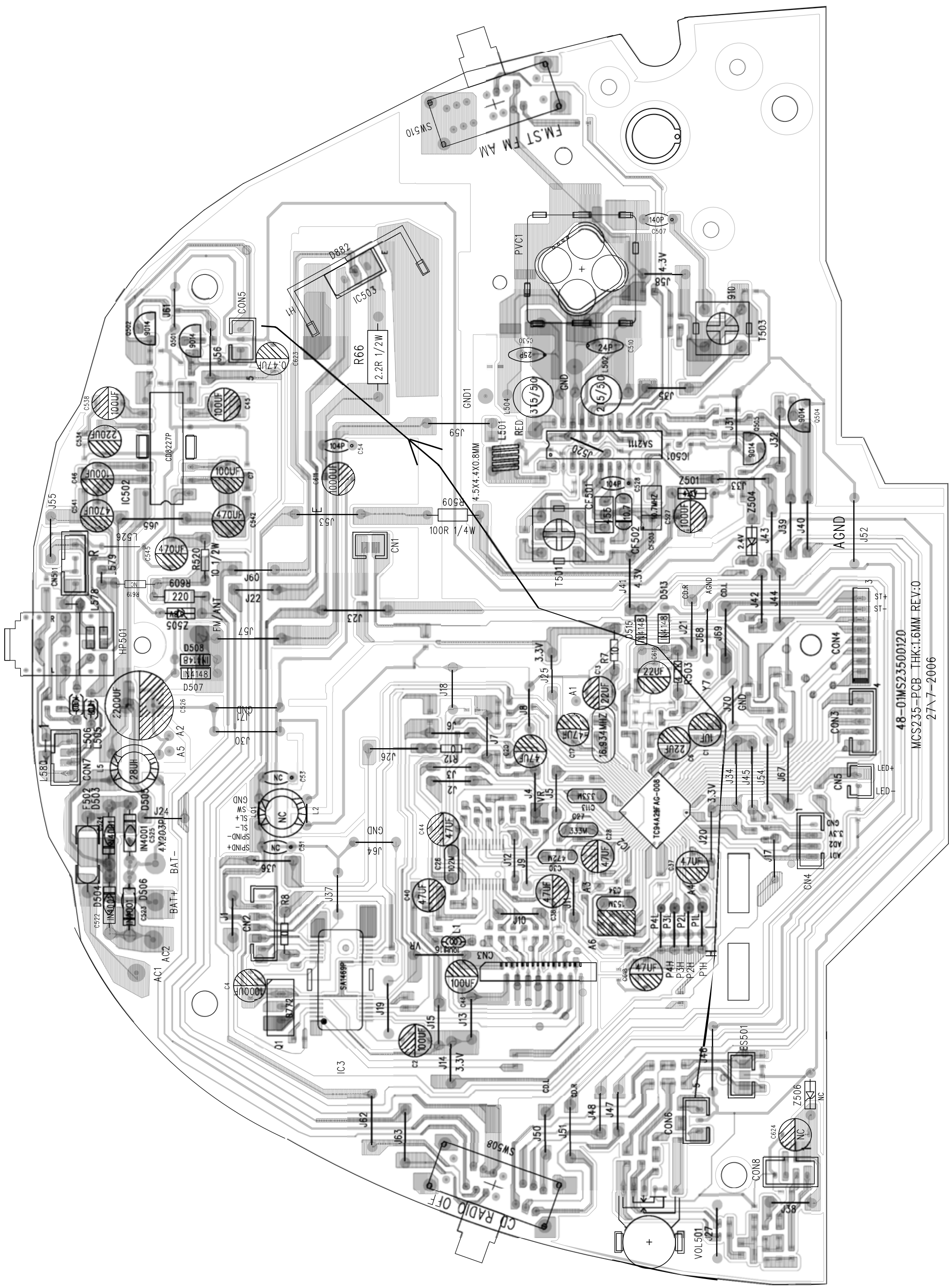


4

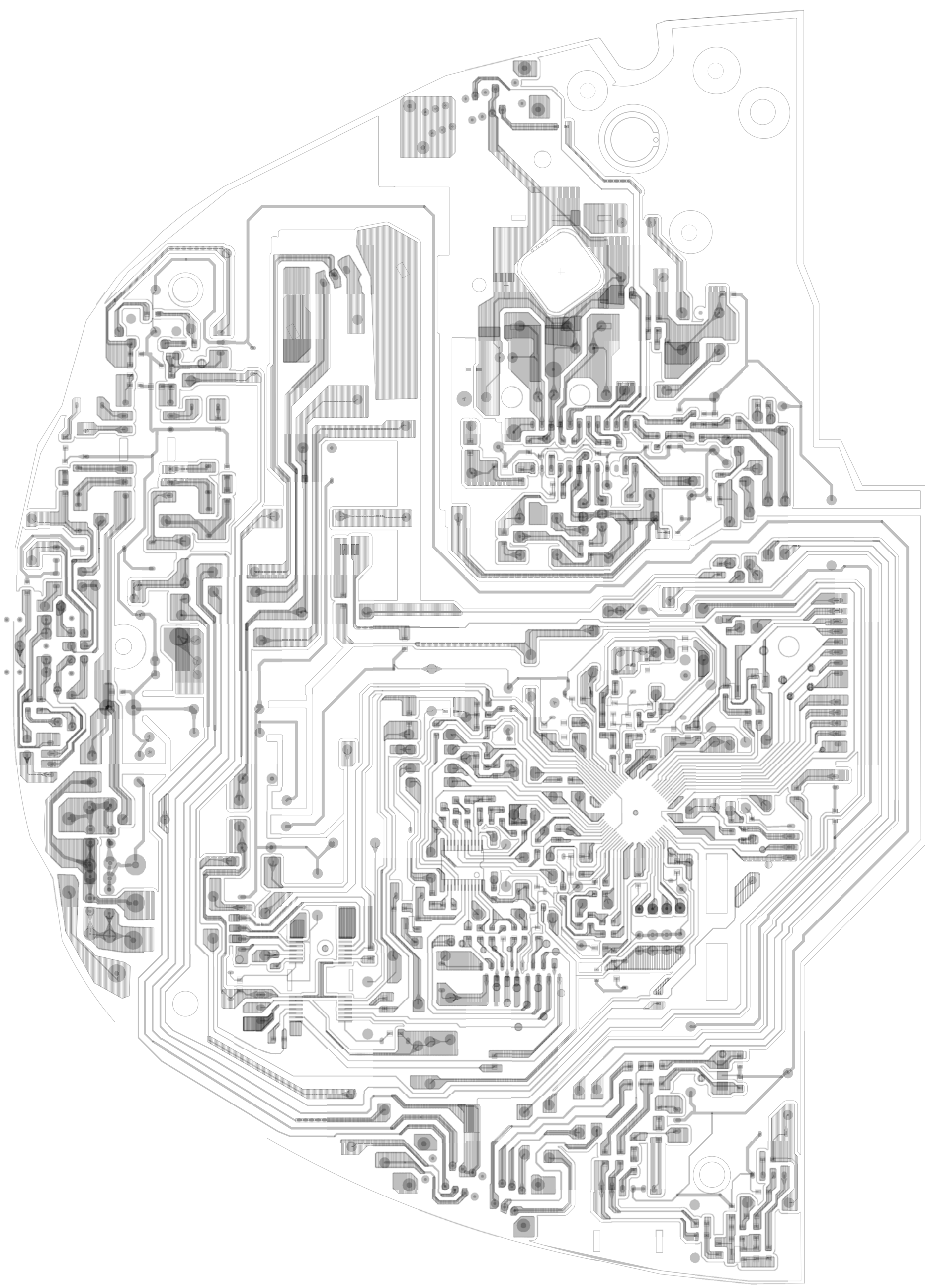
CIRCUIT DIAGRAM - MAIN BOARD - PART 1



LAYOUT DIAGRAM - MAIN BOARD - TOP SIDE



48-01MS23500120
 MCS235-PCB THK:1.6MM REV:0
 27\7-2006



CIRCUIT & LAYOUT DIAGRAM - DISPLAY / KEY BOARD

